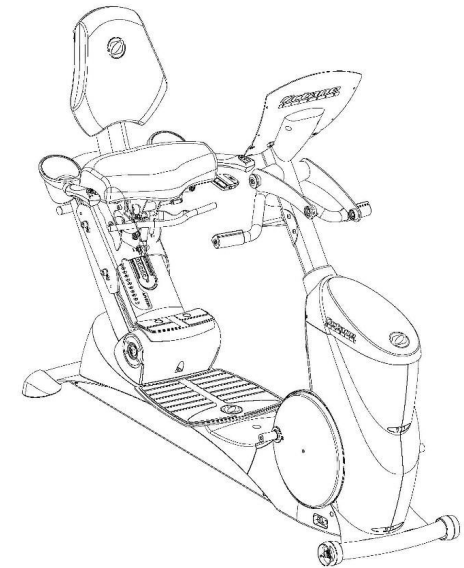
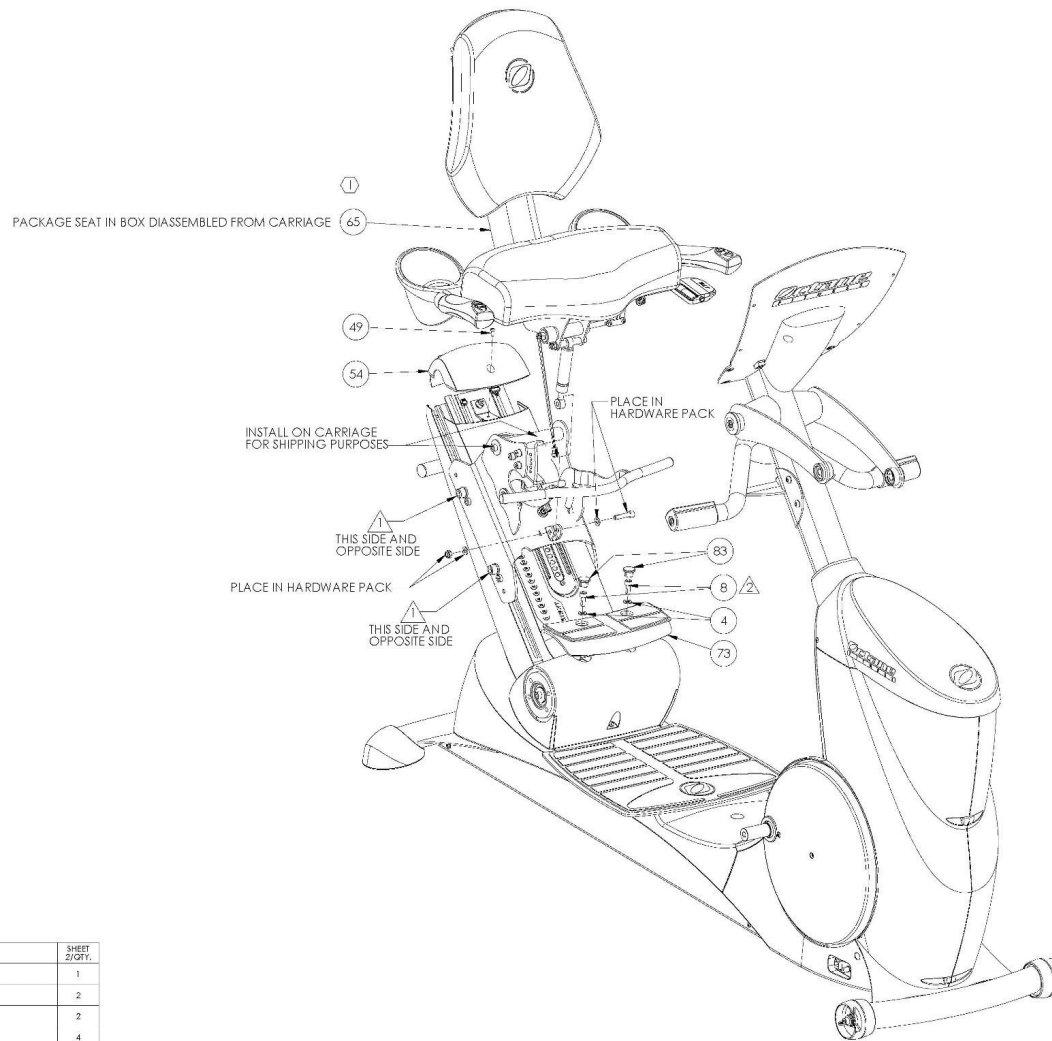


REV	DESCRIPTION	ECO #	DATE	ENG
-	See Sheet	-	-	-



ITEM NO.	PART NUMBER	DESCRIPTION	SHEET ZIGT.
1	106863-001	WLDMT, FRAME, XR6000	1
4	103212-001	WASHER, M8, 8.3 X 1.6.0 X 1.4, STAINLESS STEEL	2
8	101295-001	SCREW, M8 X 1.25 X 20.0L SHCS, BLACK ZINC, 12.9 STL	2
18	107005-001	SCREW, M8 X 1.25 X 55 HHCS, 12.9 ST, B2	4
19	103893-001	NUT, HEX, NYLON INSERT, M8 X 1.25, C2 CLASS 10	6
25	103371-001	ASSEMBLY, DRIVE PULLEY, R/H/S	1
32	106272-001	ASSEMBLY, XRIDE, PEDAL LEVER, RH	1
33	106271-001	ASSEMBLY, XRIDE, PEDAL LEVER, LH	1
40	105712-001	ASSEMBLY, UPPER LINK, LEFT	1
41	105710-001	ASSEMBLY, UPPER LINK, RIGHT	1
42	105716-001	CAP, UPPER LINK	4
43	105717-001	SCREW, M8 X 1.25 X 30.0L SHCS, STAINLESS STEEL	4
49	100780-001	SCREW, M5 X 0.8 X 12, PAN HEAD, TYPE 1 CROSS RECESSED, STAINLESS STEEL	1
54	103081-001	ASSEMBLY, CAP, SHROUD, REAR	1
65	106362-001	ASSEMBLY, SEAT, XR6000	1
73	103248-001	ASSEMBLY, REAR FOOT REST	1
83	103253-001	PLUG, FOOT REST	2

NOTES:

- WITH SEAT CARRIAGE INSTALLED ON RAILS, TORQUE M12 SCREWS TO 40 N-M (30 FT-LB) WHILE HOLDING ROLLER CAMS AT 10 N-M (7.4 FT-LB).
- TORQUE FASTENERS TO 23 N-M (17 FT-LB). OCTANE FITNESS ENGINEERING APPROVAL ON FIRST SAMPLES AND VENDOR INSPECTION REPORT REQUIRED PRIOR TO PRODUCTION FROM NEW OR REVISED TOOLING. CAD GENERATED MODEL. ANY DIMENSIONS NOT ON THIS PRINT SHOULD BE EXTRACTED FROM THE CAD MODEL. CAD MODEL IS DRIVING DOCUMENT.
- SUPPLIER MUST SUPPLY A DECLARATION OF COMPLIANCE WITH EUROPEAN COUNCIL DIRECTIVE 2002/95/EC, ON THE RESTRICTION OF USE OF CERTAIN HAZARDOUS SUBSTANCES (ROHS).

OCTANE FITNESS
Fuel Your Life

REV	DESCRIPTION	ECO #	DATE	ENG
-	See Sheet	-	-	-

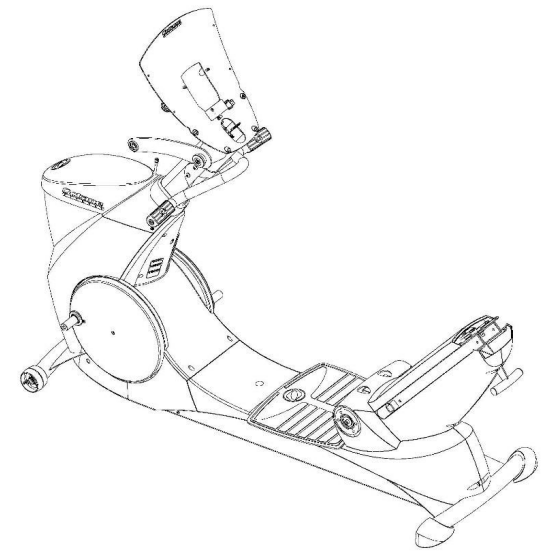
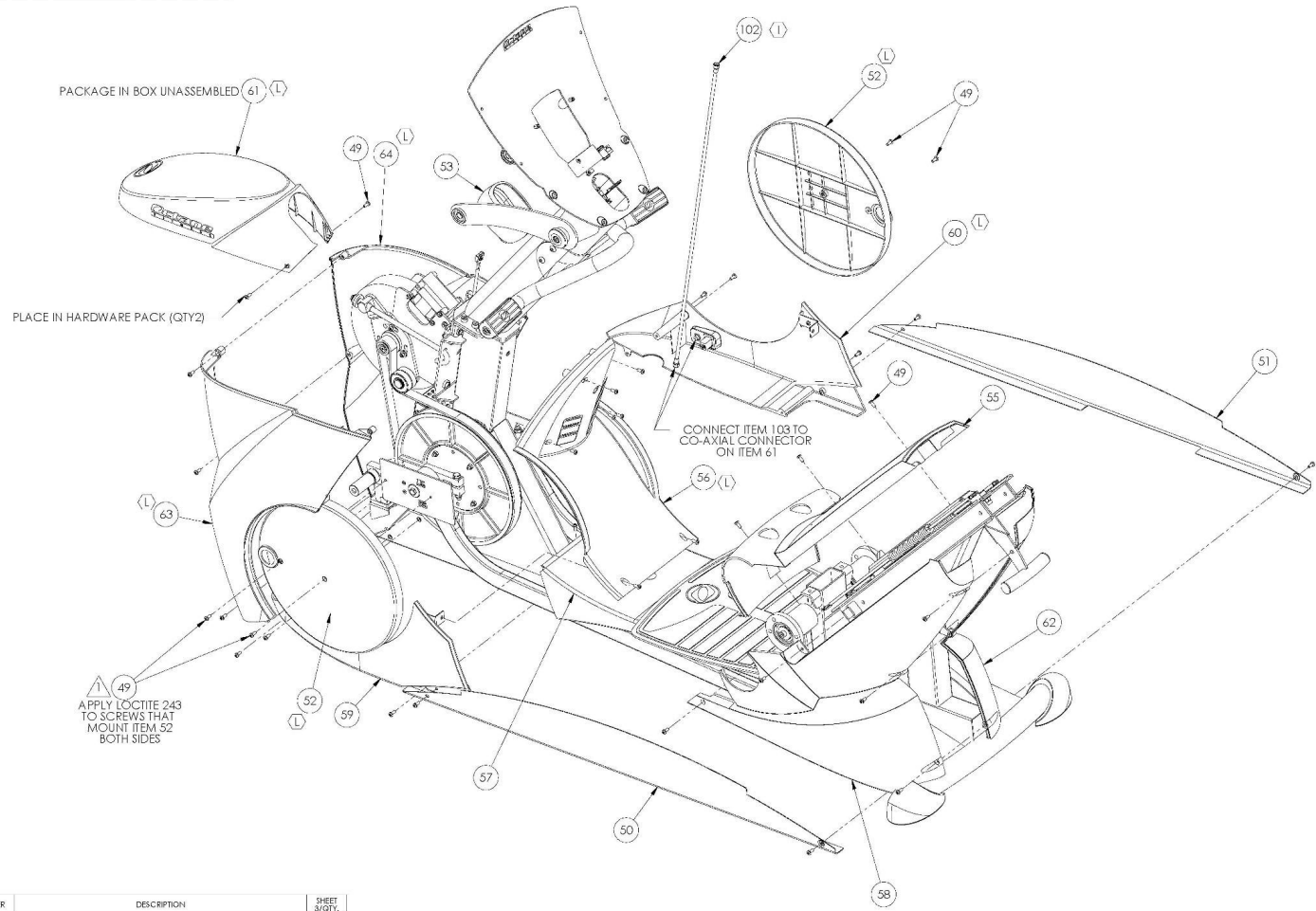
DESCRIPTION: XR6000 BASE INTL

SEE NOTES

103498-001

THE INFORMATION CONTAINED IN THIS DRAWING IS THE SOLE PROPERTY OF OCTANE FITNESS. ANY REPRODUCTION IN PART OR WHOLE WITHOUT THE WRITTEN PERMISSION OF OCTANE FITNESS IS PROHIBITED.

REV	DESCRIPTION	ECO #	DATE	ENG
-	See Sheet	-	-	-



ITEM NO.	PART NUMBER	DESCRIPTION	SHEET 3/QTY.
18	107005-001	SCREW, M8 X 1.25 X 55 FHCS, 12.9 ST, B2	4
25	103371-001	ASSEMBLY, DRIVE PULLEY, RGH5	1
49	100780-001	SCREW, M5 X 0.8 X 12, PAN HEAD, TYPE 1 CROSS RECESSED, STAINLESS STEEL	37
50	102431-001	PANEL, LEFT ARM LINK	1
51	102432-001	PANEL, RIGHT ARM LINK	1
52	102236-001	COVER, CRANK ARM	2
53	102258-001	COVER, MAST BOOT	1
55	103270-001	ASSEMBLY, SEAT SLIDE COVER	1
56	103317-001	ASSEMBLY, SHROUD ACCESS PANEL	1
57	103071-001	ASSEMBLY, SHROUD, MIDSECTION	1
58	102263-001	SHROUD, REAR, LEFT	1
59	103049-001	ASSEMBLY, LEFT ARM LINK COVER	1
60	103294-001	ASSEMBLY, RIGHT ARM LINK COVER	1
61	102814-001	ASSEMBLY, SHROUD FRONT TOP	1
62	102264-001	SHROUD, REAR, RIGHT	1
63	103315-001	ASSEMBLY, LEFT FRONT SHROUD - FLARE	1
64	103314-001	ASSEMBLY, RIGHT FRONT SHROUD - FLARE	1
102	103281-001	CABLE, CO-AXIAL, BASE	1

NOTES:

- 1. TORQUE FASTENERS TO 2 - 3 N·M (17 - 26 IN·LB).
- 2. ALL FASTENERS SHOWN IN EXPLODED STATE ARE PART NUMBER 100780-001. OCTANE FITNESS ENGINEERING APPROVAL ON FIRST SAMPLES AND VENDOR INSPECTION REPORT REQUIRED PRIOR TO PRODUCTION FROM NEW OR REVISED TOOLING.
- 3. CAD GENERATED MODEL. ANY DIMENSIONS NOT ON THIS PRINT SHOULD BE EXTRACTED FROM THE CAD MODEL. CAD MODEL IS DRIVING DOCUMENT. SUPPLIER MUST SUPPLY A DECLARATION OF COMPLIANCE WITH EUROPEAN COUNCIL DIRECTIVE 2002/95/EC, ON THE RESTRICTION OF USE OF CERTAIN HAZARDOUS SUBSTANCES (RoHS).

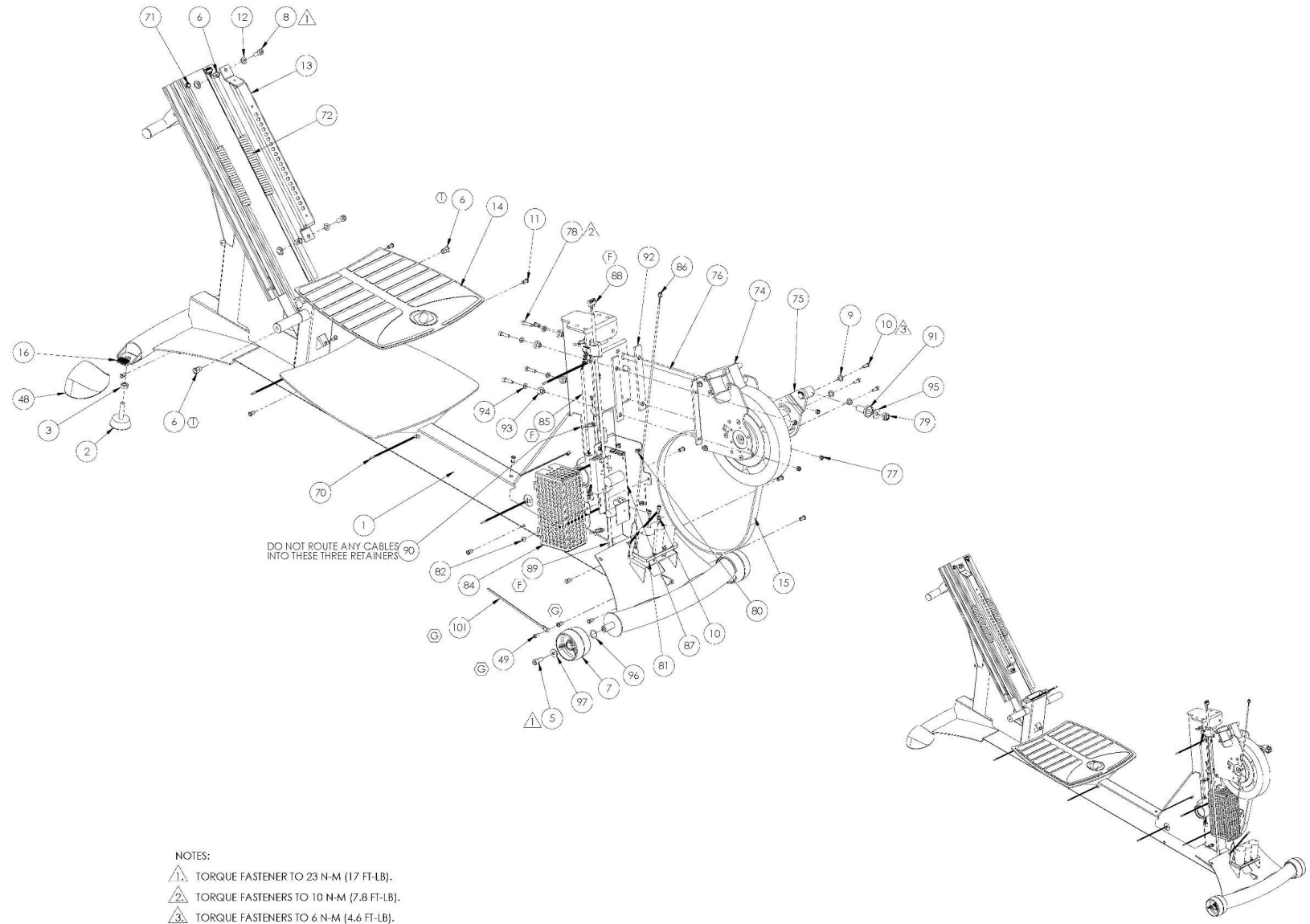
REV	DESCRIPTION	ECO #	DATE	ENG
-	See Sheet	-	-	-

REV	DESCRIPTION	ECO #	DATE	ENG
1	XR6000 BASE INTL	-	-	-
2	SEE NOTES	-	-	-
3	SEE NOTES	-	-	-

OCTANE FITNESS
Fit Your Life

103498-001

ITEM NO.	PART NUMBER	DESCRIPTION	SHEET #/QTY.
1	106363-001	WLDMT, FRAME, XR6000	1
2	900015-001	LEVELER, 50MM DIAMETER	2
3	980038-009	818.2, 4.1MM, HEX NUT, STYLE 1, M10 X 1.5, BLACK ZINC, STL	2
5	103210-001	SCREW, M8 X 1.25 X 20.0L SHCS, BLACK ZINC, 12.9 STL	2
6	101576-001	RIVNUT, BRASS, M8 X 1.25	4
7	102219-001	ROLLER, TRANSPORT	2
8	101295-001	SCREW, M8 X 1.25 X 20.0L SHCS, BLACK ZINC, 12.9 STL	2
9	100457-001	SPACER, FLANGE TENSIOHER	3
10	101297-001	SCREW, M5 X 0.8 X 16.0L SHCS, BLACK ZINC, 12.9 STL, SPRING WASHER	6
11	900031-002	RIVNUT, BRASS, M5 X 0.8	14
12	101029-001	WASHER, M6, 8.3 X 16.0 X 1.6, ST, BZ	10
13	102155-001	RACK, SEAT SLIDE	1
14	102262-001	TREAD, PLATFORM	1
15	103433-001	BELT, DRIVE, 6 RIB, 490J	1
16	101300-001	DUAL LOCK, 25 X 20 - 400	2
18	107005-001	SCREW, M8 X 1.25 X 55 HHCS, 12.9 ST, BZ	4
25	103371-001	ASSEMBLY, DRIVE PULLEY, RGH5	1
48	102979-001	ASSEMBLY, END CAP	2
49	100780-001	SCREW, M5 X 0.8 X 1.2, PAN HEAD, TYPE 1 CROSS RECESSED, STAINLESS STEEL	39
70	103430-001	TIE, CABLE, PUSH MOUNT, W4.8 X L170	11
71	103306-001	CABLE HR BASE BOX	1
72	103296-001	CABLE, HANDLEBAR BUTTONS	1
74	100830-001	BRAKE, GENERATOR, 6302	1
75	103531-001	ASSEMBLY, TENSIONER, INSULATED	1
76	102794-001	BOLT, 10MM J-HOOK	1
77	950046-007	NUT, HEX, NYLON INSERT, STL, M6	4
78	103896-001	SCREW, M6 X 1.0 X 25, SHCS, BZ	4
79	950046-009	NUT, HEX, NYLON INSERT, STL, M10	1
80	102533-001	STAND-OFF, BOARD, 4.8MM	4
81	101823-001	ASSEMBLY, BATTERY WITH PIN	1
84	103193-001	COVER, BRAKE PCB	1
85	105182-001	CABLE ASSY, BASE, XR6000, FERRITE	1
86	103282-001	CABLE ASSEMBLY, BATTERY TO MAST	1
87	103331-001	CIRCUIT BOARD ASSEMBLY, BRAKE CONTROL BOARD, SAFETY CERT, RoHS	1
88	105140-001	CABLE ASSY, BRAKE GEN PWR, FERRITE	1
89	105141-001	CABLE ASSY, BRAKE GEN INDUCT, FERRITE	1
90	102892-001	STAND-OFF, CABLE, 14 DIA	3
91	103553-001	INSULATOR, J-HOOK BOLT	1
92	103428-001	INSULATOR, BRAKE BASE	2
93	103534-001	INSULATOR, BRAKE BOLT	4
94	950042-007	818.22MM, WASHER, FLAIN, STL, M6	4
95	100717-001	10 X 23 X 2, STEEL, CZ	1
96	101920-001	WASHER, WAVE, 16.7 X 22.5 X .3	2
97	104302-001	WASHER, M6, 8.3 X 20 X 2, STAINLESS STEEL	2
101	101416-001	CABLE TIE, SCREW MOUNT, M5	1



- NOTES:
- 1. TORQUE FASTENER TO 23 N-M (17 FT-LB).
 - 2. TORQUE FASTENERS TO 10 N-M (7.8 FT-LB).
 - 3. TORQUE FASTENERS TO 6 N-M (4.6 FT-LB).

- 4. OCTANE FITNESS ENGINEERING APPROVAL ON FIRST SAMPLES AND VENDOR INSPECTION REPORT REQUIRED PRIOR TO PRODUCTION FROM NEW OR REVISED TOOLING.
- 5. CAD GENERATED MODEL. ANY DIMENSIONS NOT ON THIS PRINT SHOULD BE EXTRACTED FROM THE CAD MODEL. CAD MODEL IS DRIVING DOCUMENT.
- 6. SUPPLIER MUST SUPPLY A DECLARATION OF COMPLIANCE WITH EUROPEAN COUNCIL DIRECTIVE 2002/95/EC, ON THE RESTRICTION OF USE OF CERTAIN HAZARDOUS SUBSTANCES (RoHS).

REV	DESCRIPTION	ECO #	DATE	ENG
-	See Sheet	-	-	-

OCTANE FITNESS
Fuel Your Life

REV	DESCRIPTION	ECO #	DATE	ENG
1	XR6000 BASE INTL	-	-	-

SEE NOTES

103498-001