

8 7 6 5 4 3 1

D

D

C

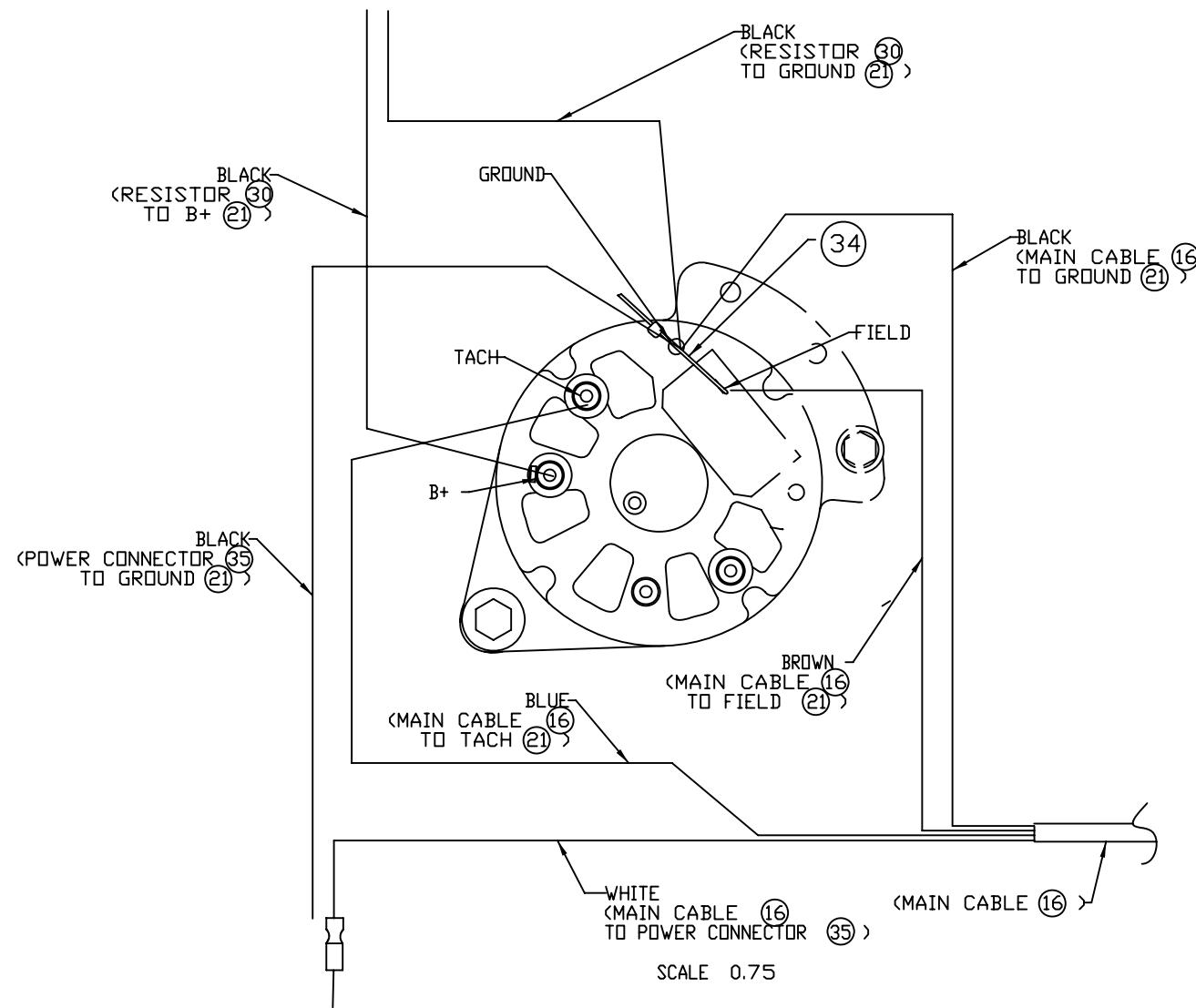
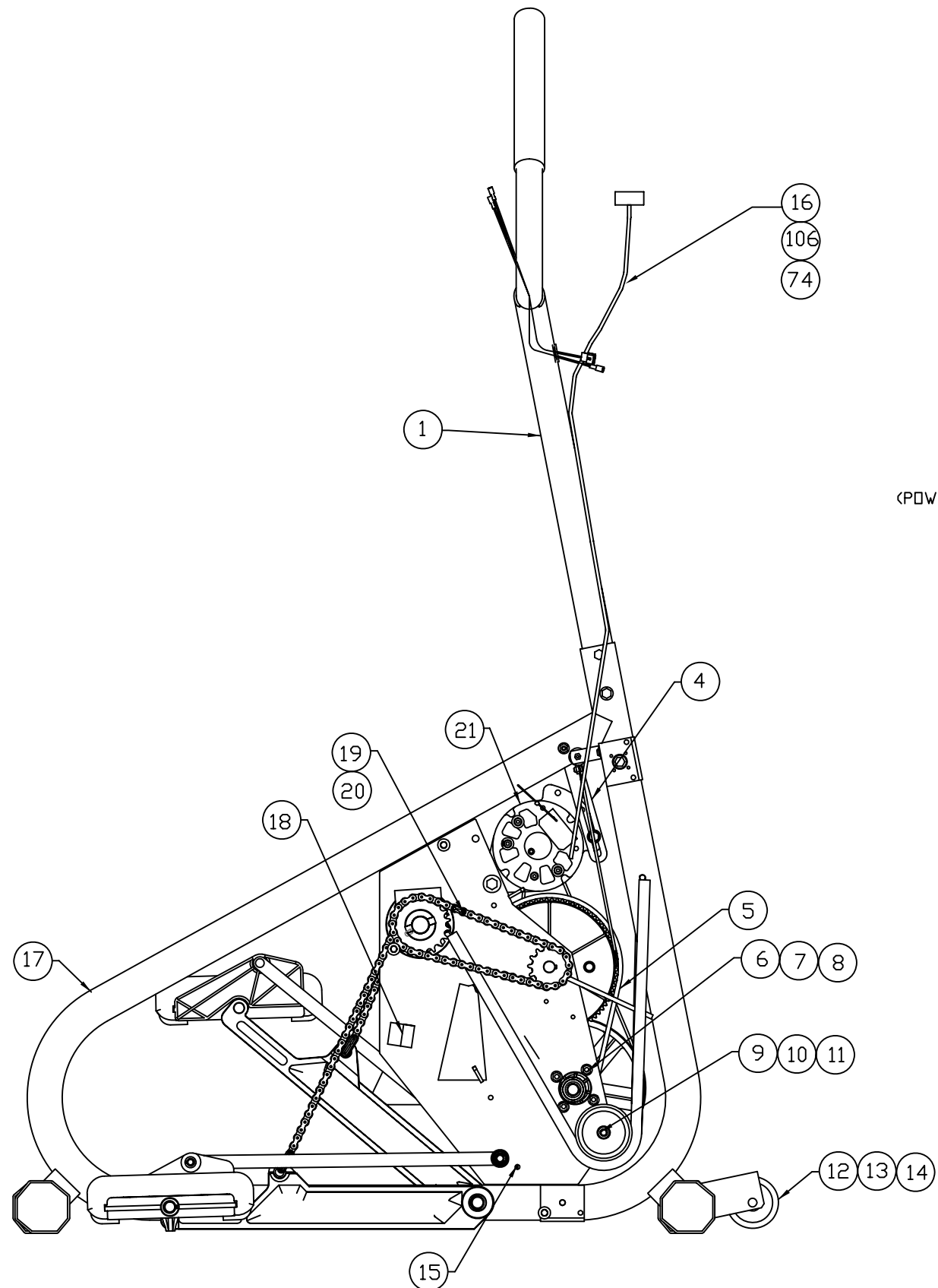
C

B

B

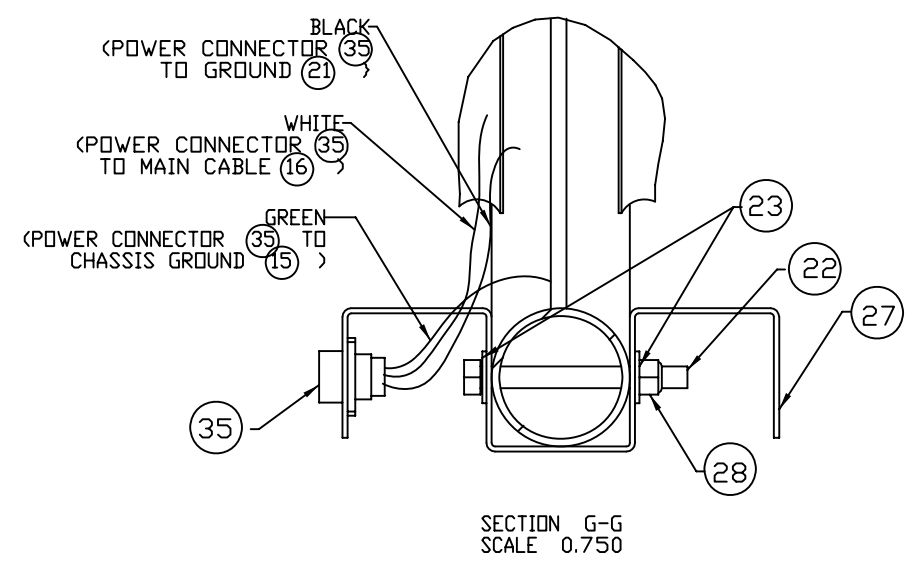
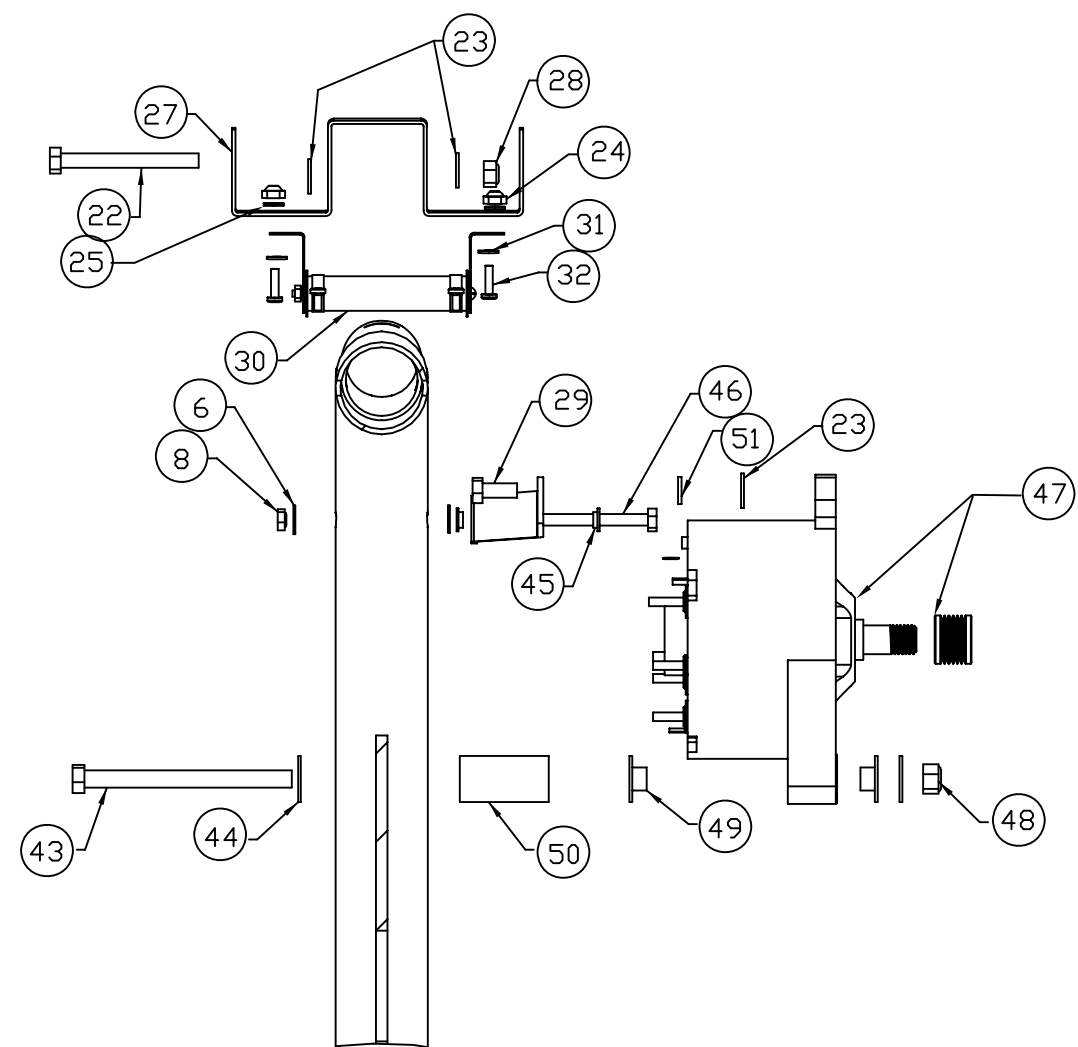
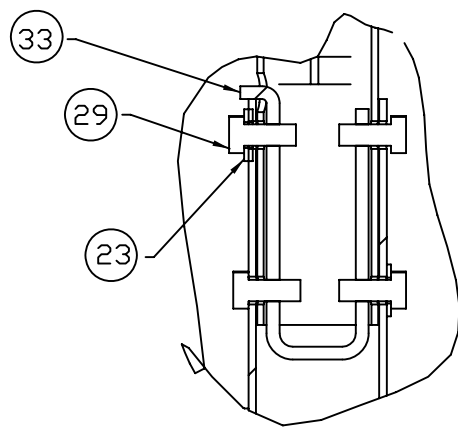
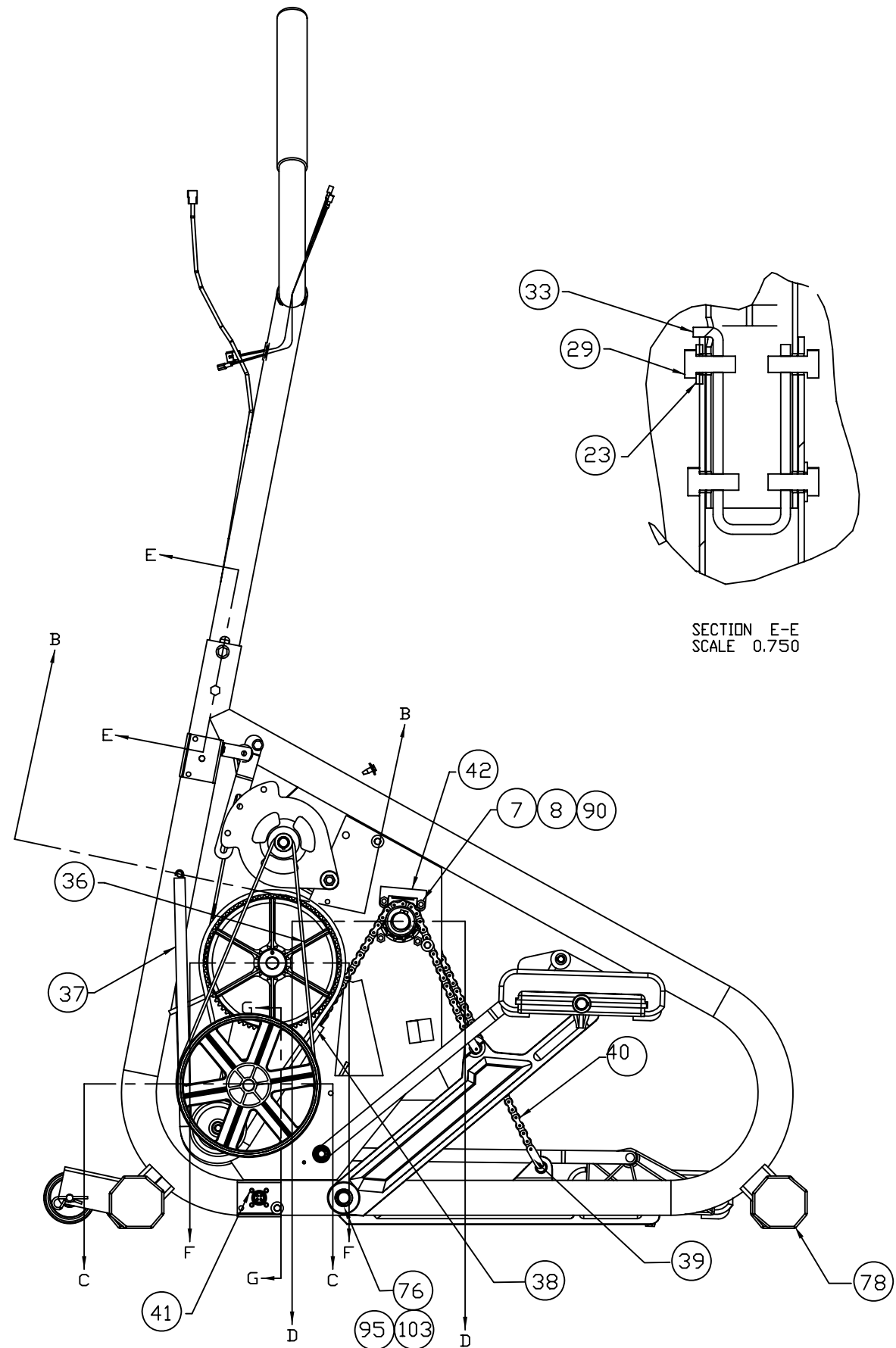
A

A



8 7 6 5 4 3 1

CONFIDENTIAL & PROPRIETARY THIS DOCUMENT IS THE PROPERTY OF STAIRMASTER SPORTS/MEDICAL PRODUCTS, INC. (SEE SHEET 1 FOR FULL TEXT)		StairMaster HEALTH & FITNESS PRODUCTS, INC.	SIZE D	DWG NO 4400PT W80M	VER. A	REV. BC
DRAFTER	SCALE: 0.250	PLLOT DATE: 1/11/06	SHEET 1 OF 5		PRO/ENGINEER GENERATED DRAWING FILE NAME: 21320.DRW	



8

7

6

5

4

3

1

D

D

C

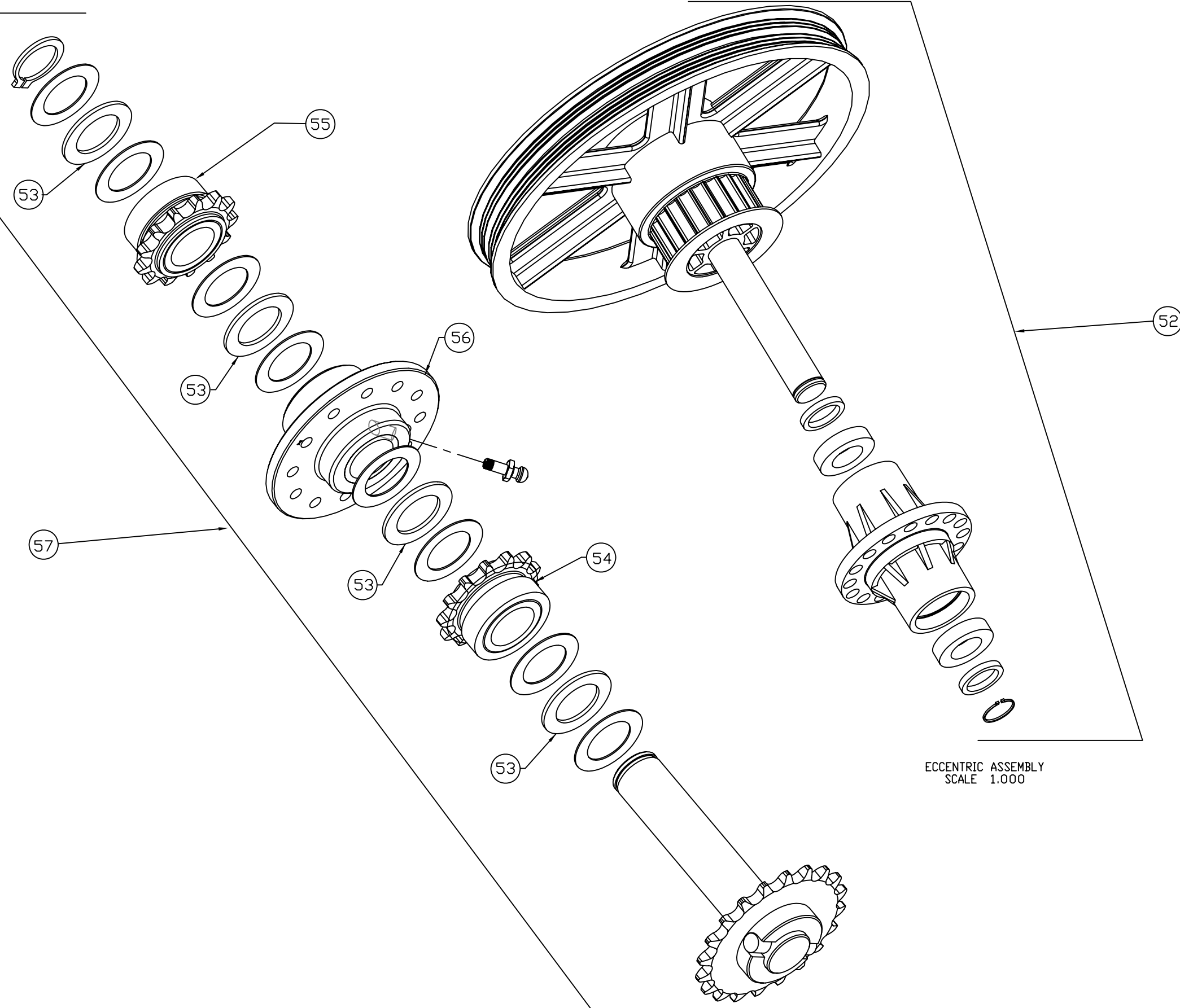
C

B

B

A

A



ECCENTRIC ASSEMBLY
SCALE 1.000

DRIVE SHAFT ASSEMBLY
SCALE 1.000

CONFIDENTIAL & PROPRIETARY THIS DOCUMENT IS THE PROPERTY OF STAIRMASTER SPORTS/MEDICAL PRODUCTS, INC. (SEE SHEET 1 FOR FULL TEXT)		StairMaster HEALTH & FITNESS PRODUCTS, INC.	SIZE D	DWG NO 4400PT WROM	VER A	REV BA
DRAFTER	SCALE:0,250	PLDT DATE:1/11/06	SHEET 3 OF 5		PRO/ENGINEER GENERATED DRAWING FILE NAME:21320.DRW	

8

7

6

5

4

3

8 7 6 5 4 3 1

D

D

C

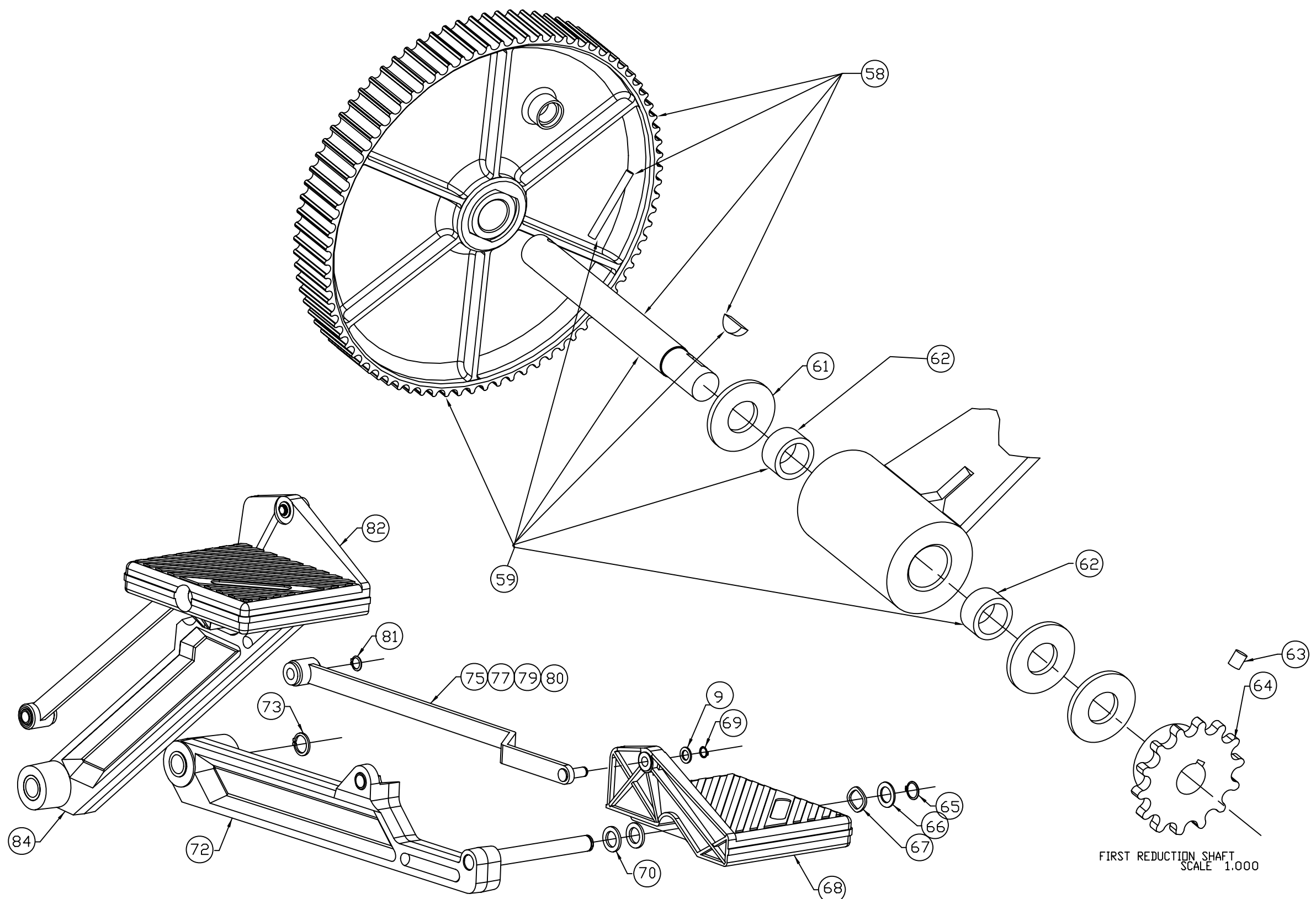
C

B

B

A

A



FIRST REDUCTION SHAFT
SCALE 1.000

PEDAL SHAFT ASSEMBLY
LEFT PEDAL SHOWN UNEXPLODED

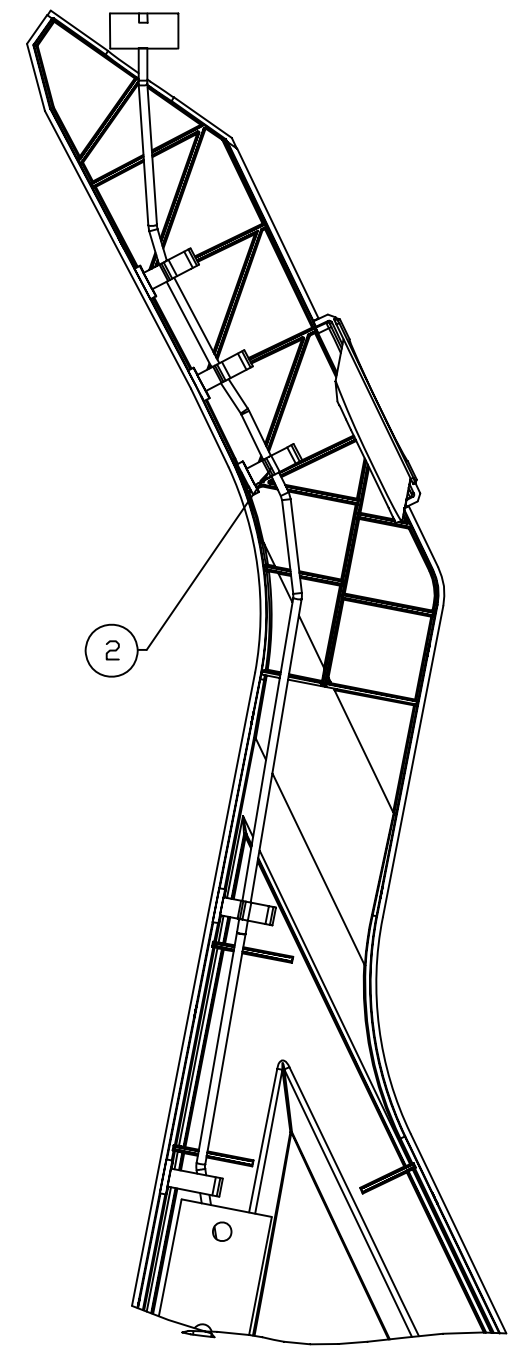
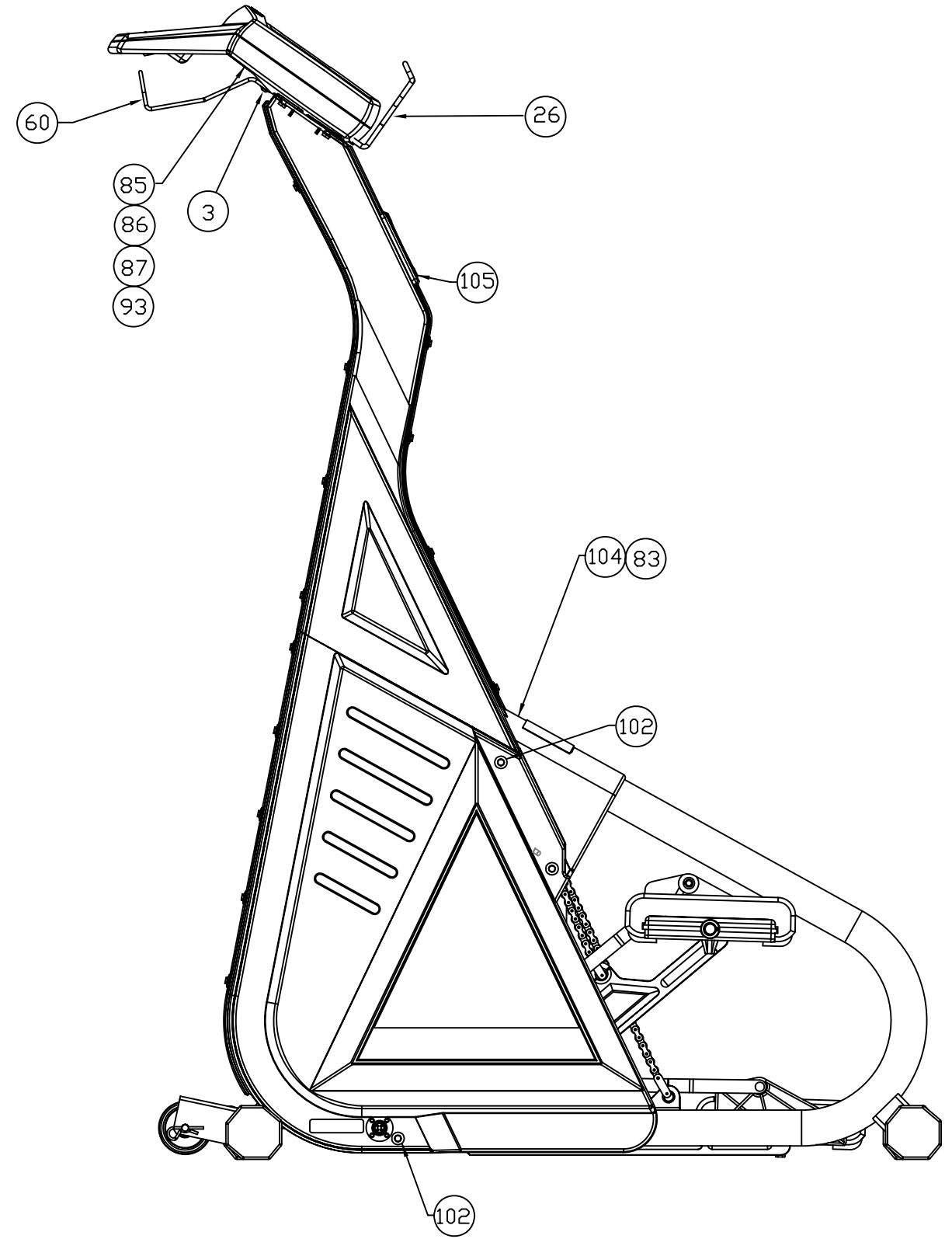
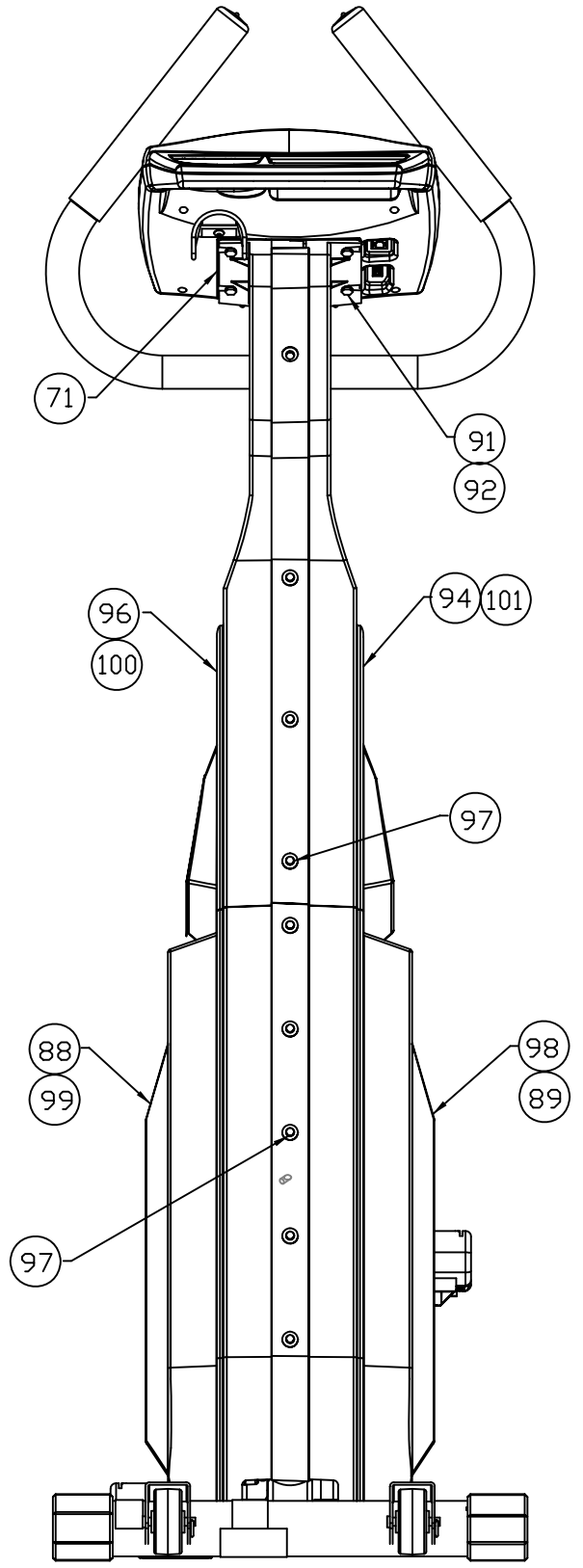
8 7 6 5 4 3 1

CONFIDENTIAL & PROPRIETARY THIS DOCUMENT IS THE PROPERTY OF STAIRMASTER SPORTS/MEDICAL PRODUCTS, INC. (SEE SHEET 1 FOR FULL TEXT)		StairMaster HEALTH & FITNESS PRODUCTS, INC.	SIZE D	DWG NO. 4400PT W80M	VER. A	REV. BA
DRAFTER	SCALE: 0.500	PLT DATE: 1/11/06	SHEET 4 OF 5		PRO/ENGINEER GENERATED DRAWING FILE NAME: 21320.DRW	

8 7 6 5 4 3 1

COVERS NOT AVAILABLE FOR 4400PT THAT ARE PRE 3/96, PLEASE ORDER SM24863-06K (COVER UPGRADE W/NECK WELDMENT)

D
C
B
A



SCALE 0.500

8 7 6 5 4 3 1

CONFIDENTIAL & PROPRIETARY THIS DOCUMENT IS THE PROPERTY OF STAIRMASTER SPORTS/MEDICAL PRODUCTS, INC. (SEE SHEET 1 FOR FULL TEXT)		StairMaster HEALTH & FITNESS PRODUCTS, INC.	SIZE D	DWG NO 4400PT W/DM	VER. A	REV. BA
DRAFTER	SCALE: 0.250	PLT DATE: 1/11/06	SHEET 5 OF 5		PRO/ENGINEER GENERATED DRAWING FILE NAME: 21320.DRW	

4400PT, DOMESTIC, WB.O.M., BLACK

SKU: #SM120003 (BLACK) #SM120013 (GREY)

<u>REF NO.</u>	<u>PSE NO:</u>	<u>DESCRIPTION</u>
1	SM24803-03	ASSY,NECK,44PT/CL W/INJ CVR,WB
2	SM24323	CLIP,CABLE,ADHESIVE BACKING
3	SM25244	SCREW,.250-20X.50 BUTTON HD CP
4	SM21590-03	BRACE,ALTERNATOR,4400 PT/CL,WB
5	SM21529	BELT,HTD,8MM,800MM LONG
6	SM22047	WASHER,FLAT,1/4 ID X 5/8 OD
7	SM22026	SCREW,.250-20X1.00,HEX HD CAP
8	SM22036	NUT,.250-20,NYLON INSERT
9	SM21462	SCREW,1/4-20X3/8",BUTTON HD SO
10	SM22143	RING,SNAP, 3/8"
11	SM21519	PULLEY,SPRING,4200/4400
12	SM25978	KIT,WHEEL
13	SM21774	PIN,HITCH
14	SM22326	PIN,CLEVIS
15	SM22150	SCREW,#10-24 X .38 ZINC PLATED
16	SM27827	ASSY.CABLE, C40 4400/4600PT, (8/01 to Present)
17	SM21437-03	(CS)MAINFRAM,T2,4400PT/CL/2400
18	SM20188	MOUNT, SHOCK
19	SM20008	LINK,MASTER,#41
20	SM22347	CHAIN,TRANSMISSION,4200/4400
21	SM20205	ALTERNATOR,PRESTOLITE,1992
22	SM24271	SCREW,.312-18X3.00,HEX HD CAP
23	SM22075	WASHER,.312 USS FLAT
24	SM23054	NUT,#8-32,NYLON INSERT
25	SM13580	WASHER,#8 SAE FLAT
26	SM27791-03	WIREFORM,MAGAZINE HOLDER
27	SM24666-03	BRACKET,MNT,CVR,CL SYS,CL,W/B
28	SM22032	NUT,5/16-18 NC NYLON INSRT HEX
29	SM22093	SCREW,.312-18X.75,HEX HD CAP
30	SM22930	ASSY,LOAD RESISTOR,4400 PT
31	SM23609	WASHER,FLAT,#8 FENDER,
32	SM25079	SCREW,8-32 NC X .62 PHIL PAN
33	SM21616	INSERT,NECK,2400/4400
34	SM21204	ASSY,FIELD,DIODE
35	SM24307	ASSY,MAIN POWER HARNESS
36	SM21518	BELT,POLY-V,430J6
37	SM21093	SPRING, PEDAL RETURN
38	SM20157	KIT,MASTER LINK
39	SM21298	LINK, DOUBLE PITCH W/SLEEVE
40	SM20199	CHAIN,STEP CHN4ON P 37
41	SM22663	SCREW,#6 X .50 PHIL,TYPE T
42	SM21192	RETAINER, PEDAL CHAIN
43	SM21448	SCREW,.375-16 x 4.50 HEX HD CP
44	SM22030	WASHER, 3/8 USS FLAT

45	SM22983	WASHER, SHOULDER, .25 ID, NYLON
46	SM22175	SCREW, .250-20X3.00, HEX HD CAP
47	SM21508	(CS)ASSY, ALT. PULLEY, 4400PT T2
48	SM22029	NUT, .375-16, NYLON INSERT
49	SM22191	WASHER, SHOULDER, .38 I.D.
50	SM21592-05	SPACER, ALTERNATOR, 4400 PT/CL
51	SM22070	WASHER, .312 SPIT LOCK
52	SM24897	(CS)ASSY, ECCENTRIC SHAFT
53	SM20198	BEARING, THRUST
54	SM10383	(CS)ASSY, SPROCKET RH
55	SM10382	(CS)ASSY, SPROCKET LH
56	SM10400	(CS)ASSY, DRIVE, HUB
57	SM10485	(CS)ASSY, DRIVE HUB & SHAFT
58	SM22618	(CS)ASSY, SPROCKET, 80T
59	SM40216	KIT, FIRST REDUCTION
60	SM27783-03	WIREFORM ASSY, WATER BOTTLE
61	SM21657	WASHER, .688 I.D. X .125 THICK
62	SM24747	BEARING, NEDL, DRWN CUP, 17x23x12
63	SM22878	SCREW, SET, SOCKET, .250-28 X .38
64	SM20006	SPROCKET, BS14 #41 CHAIN
65	SM22141	RING, SNAP, 5/8", ZINC PLATED
66	SM22140	WASHER, FLAT 1.00 OD X .63 ID
67	SM12446	WASHER, WAVE, .751 I.D.
68	SM21793	ASSY, PEDAL, RH, CL SYS, V2
69	SM21463	RING, SNAP, 3/8", SS
70	SM21366	WASHER, THRUST, .63 ID
71	SM27797	SPACER, C40 MOUNTING
72	SM10989-03	(CS)ASSY, ARM, PEDAL, RH, PB, W/B P
73	SM20213	RING, SNAP 3/4"
74	SM21417	ASSY, MAIN CABLE, 4400 PT, HM, C5 (2/96 to 8/01)
75	SM10991-03	(CS)ASSY, ARM, LEVELING, PB, W/BPD
76	SM22363	ASSEMBLY, HUB/SHAFT, PRESSFIT
77	SM21286K	KIT, LEVELING ARM UPGRADE, LT
78	SM24329	CAP, LEG, LEVEL ADJUST, OCT
79	SM21285K	KIT, LEVELING ARM UPGRADE, RT
80	SM40184	KIT, LEVEL ARM
81	SM20214	RING, SNAP 3/8"
82	SM21794	ASSY, PEDAL, LH, CL SYS, V2
83	SM24954-07	(CS)COVER, MID, W/DECALS, GREY
84	SM10990-03	(CS)ASSY, ARM, PEDAL, LH, PB W/B P
85	SM27775-20	CONSOLE, ASSEMBLY, C40, ENG
86	SM27130	PCB ASSY, C40 PROCESS(M128)NON-
87	SM27792	KIT, C40 OVERLAY
88	SM18074	CVR, LWR, RH, 44PT, GREY
89	SM18075	CVR, LWR, LH, 44PT, GREY
90	SM27078	KIT, DRIVE HUB MOUNTING
91	SM25454	BOLT, 1/4-20 X .75, HEX HEAD
92	SM22138	WASHER, .250 INTERNL TOOTH LOCK
93	SM40070-001	PCBA, DISPLAY, CJ40
94	SM21511-06	COVER, UPPER, LH, INJ MOLDED
95	SM21239	(CS)SHAFT, ARM, PEDAL, NICKL PLTE, (1/96 to 2/97)
96	SM21510-06	COVER, UPPER, RH, INJ MOLDED

97	SM22847	RIVET KIT (10 PER)
98	SM27058-06	(CS)COVER,LH W/DECAL,4400PT, BLK
99	SM27057-06	(CS)COVER,RH W/DECAL,4400PT, BLK
100	SM21510-07	COVER,UPPER,RH,INJ MOLD, GRY
101	SM21511-07	COVER,UPPER,LH,INJ MOLD, GRY
102	SM22086	RIVET,PANELS, PLASTIC
103	SM22280	(CS)KEY,3/16 SQ X 1.250 LONG,Pedal shaft, (1/96 to 2/97)
104	SM24954-06	(CS)COVER,MID,W/DECALS, BLK
105	SM21578	GROMMET,NECK,2400/4400
106	SM21403	ASSY.,MAIN CABLE,4400PT,C2, (1/95 to 2/96)
Not shown	SM20001	REDUCER, SPEED,TRANSMISSION, (PRE-11/95)
Not shown	SM20200	CHAIN, TRANSMISSION CHN411 61, (PRE-11/95)
Not shown	SM20202	BELT,POLY-V,200J6, (PRE-11/95)
Not shown	SM20547	BRACKET,TRANSMISSION, (PRE-11/95)
Not shown	SM20808	PAD, RUBBER TRANSMISSION, (PRE-11/95)
Not shown	SM21094	PULLEY,SPRING, OLD STYLE 4400PT, (PRE-11/95)
Not shown	SM21245	PULLEY,TRANSMISSION,440PT, (PRE-11/95)
Not shown	SM22181K	KIT,TOUCH-UP PAINT,WRKLBLACK
Not shown	SM21287	ASSY, TRANS W/PULLEY AND SPROCKET, (PRE-11/95)
Not shown	SM21436-03	(CS)MAINFRAME,BISON,4400PT/CL, (PRE-11/95)
Not shown	SM21676-03	CLAMP,HANDRAIL,4400/2400,BLACK
Not shown	SM22569	MNUAL,OWNRS,42/44/4600PT/CL,EN, (C5 console)
Not shown	SM22867	MANUAL 4600 C-40
Not shown	SM23802	ASSY,LOAD RESISTOR, (PRE-7/95)
Not shown	SM23853	TOOL, REMOVAL, COVER FASTENERS
Not shown	SM24246	RACK,READING (C3/C4/C5), (PRE-8/01)
Not shown	SM24381	POWER SUPPLY,PS-7,3-PIN
Not shown	SM24557	BRUSH ASSY,ALTERNATOR,PRESTOLT