

# A971 Cable Cross Over / A973 Cable Tower

7/28/2010

Bbl#	Description	Qty	Part #
01	Screw, Side Covers	21	A911-01
02	Stack Cover Rear	1	19130011
03	Stack Cover Spacer	2	191091050
04	Logo Plate	1	09130050
05	Stack Cover Front	1	191030021
06	Cushion Plate	1	A912-50
07	Pulley Bracket	1	A971-07
08	Pulley, Cable	14	A971-08
09	Pulley Hardware	1	A971-09
10	Adjustor Clamp	1	A971-10
11	Wt. Stack Bumper	2	A911-36
12	Upper Cushion Ring	2	A911-37
13	Ring Guide	2	A911-38
14	Stack Pin	2	A911-44
15	Upper Stack Bracket	1	A911-40
16	Plate Bracket (190510262)	1	A912-26
17	Vertical Stack Tube	2	A911-39
18	Wt. Stack Rod	1	A912-27
19	Wt. Stack Tube Plate 1.8kg	1	A912-19
20	Lower Cushion Ring	2	A911-41
21	Wt. Stack Bushing	38	A911-46
22	Wt. Stack Plate, 5kg	19	A911-47
23	Stack Cushion	2	A911-48
24	Stack Fork	1	A911-50
25	Cord, Stack Fork	1	A911-51A
27	Upper Pulley Axle	1	A971-27
28	Lower Pulley Axle	1	A971-28
29	Frame	1	N/A
30	Pulley Pin	1	A971-30

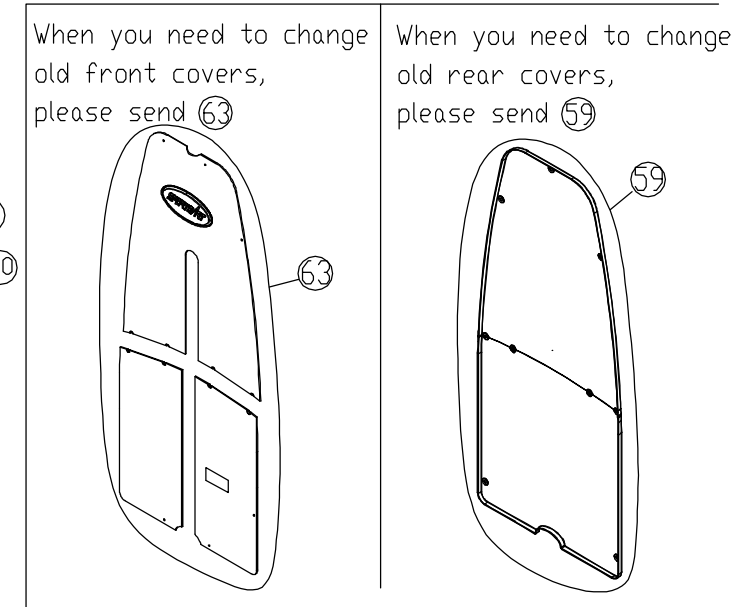
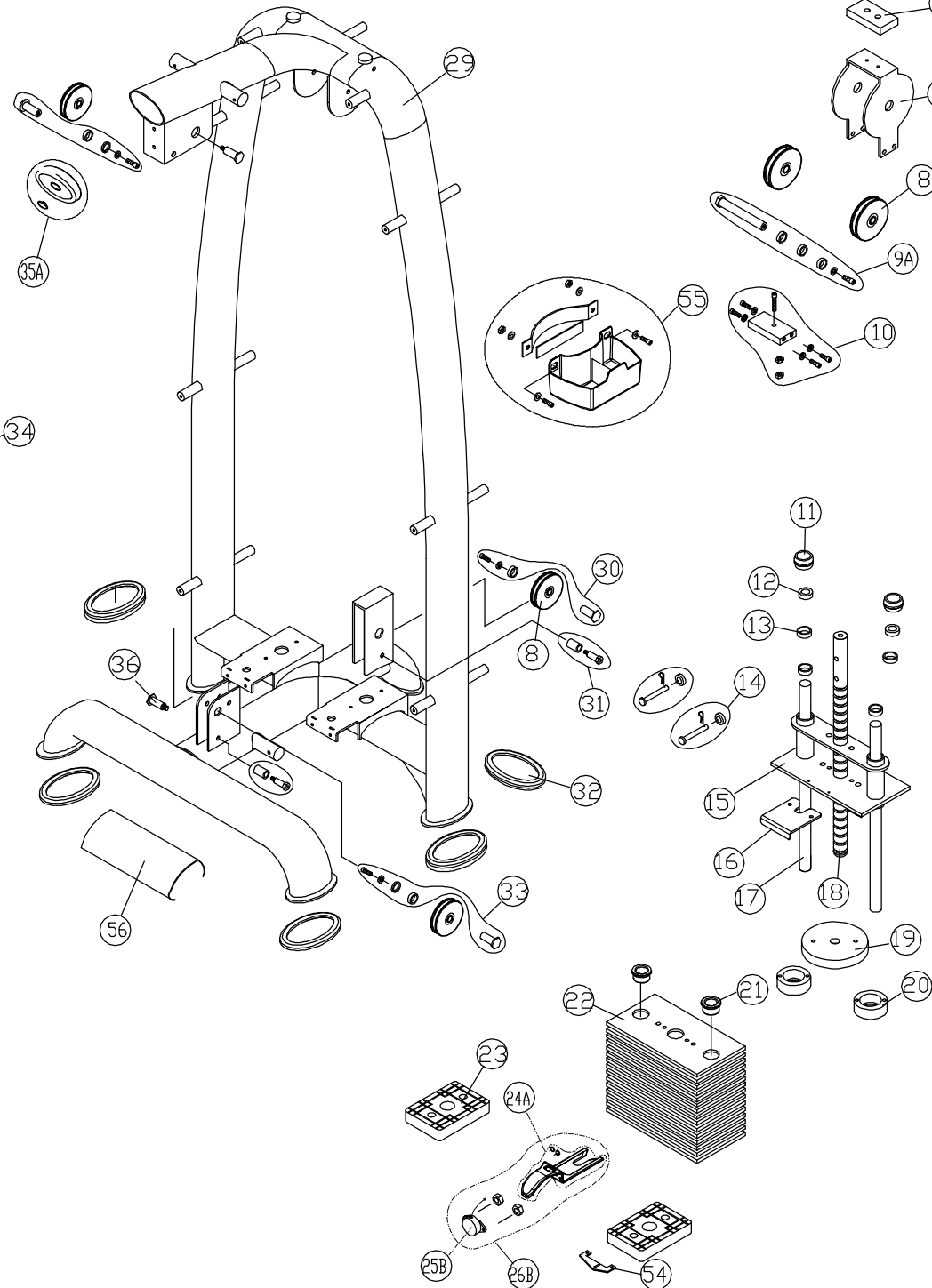
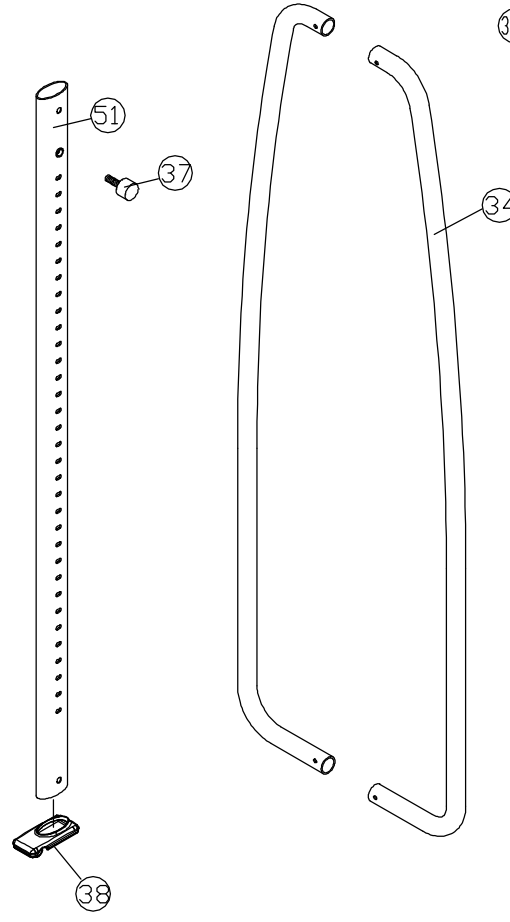
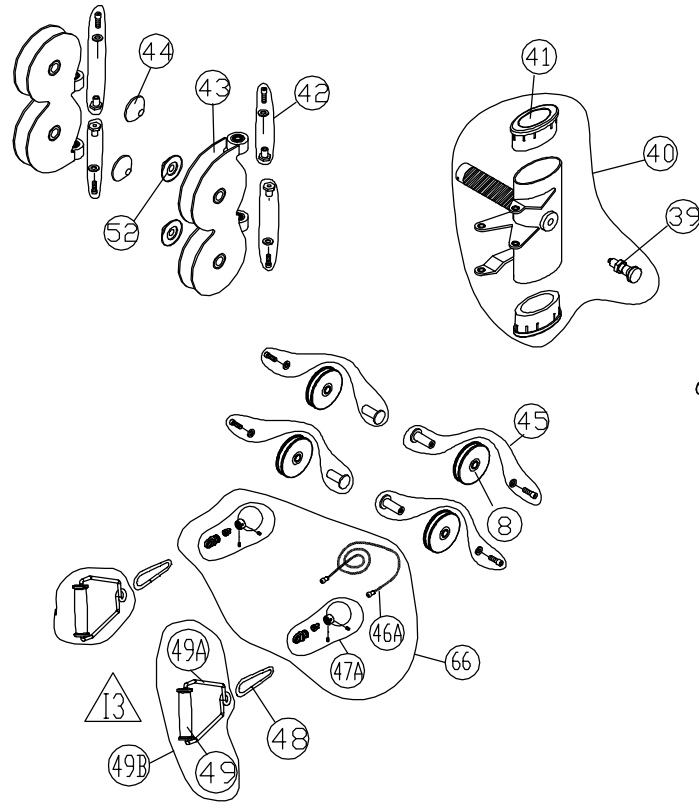
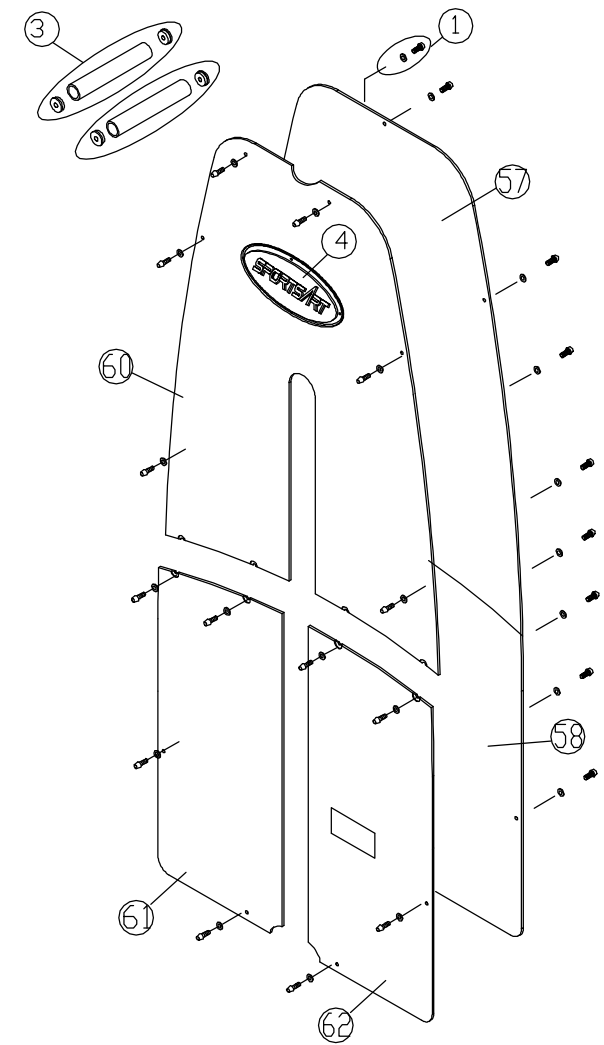
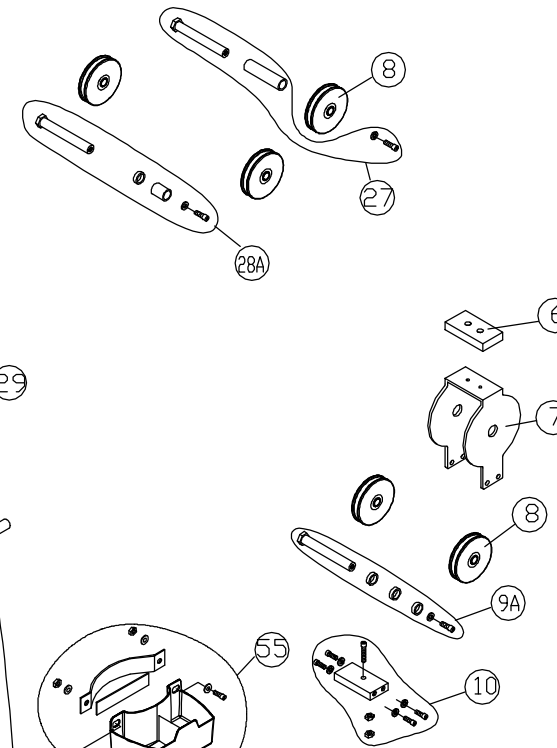
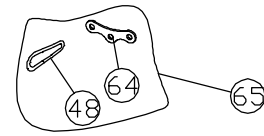
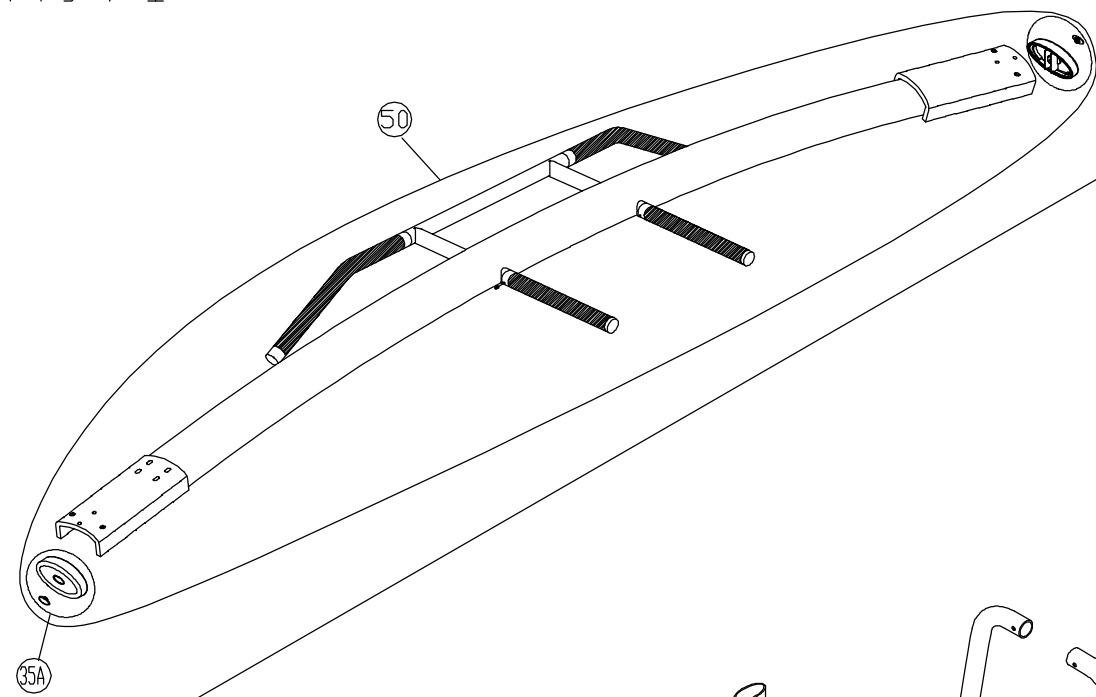
Bbl#	Description	Qty	Part #
31	Extension Stopper Pin	1	A971-31
32	Rubber Foot	5	A911-10
33	Pulley Hardware	1	A971-33
34	Support Bar	2	A971-34
35	End Cap	1	XT20-44
36	Set Pin	2	A971-36
37	Stopper	2	A921-54
38	Foot	1	A971-38
39	Pin, Position Holder	1	A911-28
40	Height Adjuster	1	A971-40
41	Cap	1	A912-46
42	Pivot Pin	4	A971-42
43	Pivot Bracket	2	A971-43
44	Cap, Rubber	4	A971-44
45	Pulley Hardware	4	A971-45
46	Cable, Pulley ( Old Style 37ft )	2	A971-46
*	Cable, Pulley ( New Style 30ft )	2	A971-500
47	Ball Connector	2	A971-47
48	Carabineer	2	A918-18
49	Handle	2	A971-49
50	Connector	1	A971-50
51	Setting Adjust Tube	1	A971-51
52	Screw Cover	2	A971-52

## ADDITIONAL PARTS NOT SHOWN

*	Owners Manual	1	A971-OM
*	Owners Manual	1	A973-OM
*	Water Bottle Holder	1	A912-100

A971

OPTIONAL



CHANGE DATE	CHANGE DESCRIPTION	CHANGE NO.	NAME	<p>RESTRICTED USAGE , PLEASE DON'T FORWARD TO ANYONE WHO ISNT AUTHORIZED</p>	DRAWN BY	UNITS	MM	SALES BLOW UP DIAGRAM	DIAGRAM NO.	GFR-F001A-I	
2011.05.20	新增 64 65		林士文		VERIFIED BY	QTY	1		MODEL		A971
2011.11.09	新增 66 修改 46 = 46A 47 = 47A	05-1000825M 05-1001203M	尤淑芬		VERSION	I3					
2012.07.11	新增組件件號 49B 及其零件 49A		林士文		RATIO	1/15					